

## BINDING OFF

Binding off is how you remove your stitches from your knitting needles so that they don't unravel once you have reached the end of your project. Knit the first **two** stitches of the row. Use your **left** needle as a tool to lift the back stitch on the **right** needle up and over the front stitch (**Fig. 13**) and completely off the right needle (**Fig. 14**). Continue until your **left** needle is empty and there is only one stitch left on your **right** needle. Cut the yarn leaving a long end to hide later. Slip the last stitch off the **right** needle, pull the end through the stitch (**Fig. 15**) and tighten the stitch.

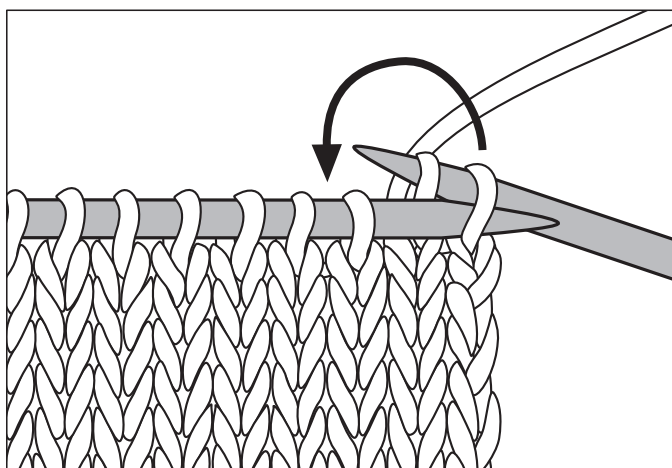


Fig. 13

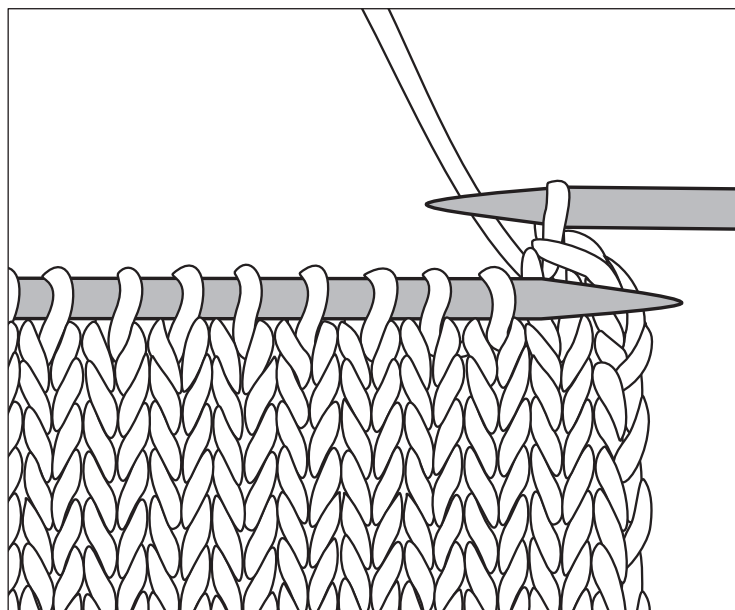


Fig. 14

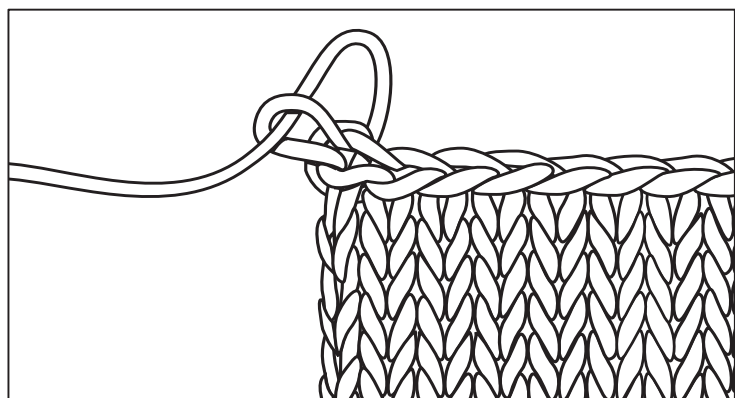


Fig. 15